



Terminal box OZ-ATEX IP 66



OZ-ATEX – is a small wall-mounted enclosure with compact dimensions and high tightness for use in potentially explosive atmospheres. The standard offer includes 24 dimensions. Tables with catalogue numbers are available on the following pages of the catalogue.



Download product data sheet!

Type	Corrosivity category	Material / additional description	Coating
OZ-ATEX-OH	C4**	stainless steel 1.4301 (AISI 304)	BRUSHED
OZ-ATEX-KO	C5-I (M)**	acid-proof steel 1.4404 (AISI 316L)	BRUSHED

General information:

- Enclosure sign:
 - II 2G Ex eb II Gb 
 - II 2D Ex tb IIIC Db 
- Meeting the requirements of standards such as: PN-EN 60079:2013 (EN 60079-0:2012); PN-EN 60079-7:2016 (EN 60079-7:2007); PN-EN 60079-31:2014 (EN 60079-31:2014) confirmed with EC-type examination certificate No. OBAC 15 ATEX 0203U
- Ingress protection according to IP code: 66
- Impact resistance according to IK code: 08
- Operating temperature range: -30 – +80°C

Basic data:

- Body: monobloc type, welded
- Closure: cover closed with four screws provided with lock washers to ensure tight closing
- Grounding: threaded grounding studs in the cover and enclosure body
- Other information: There are perforated angle bars inside the enclosure for mounting TS-35 rail or mounting plate. The enclosure is equipped with removable wall mounting brackets.

Description	Page
Mounting plates	94
DIN rails TS-35	94
Modular covers	94

Additional options:

- Unusual dimensions
- Punching in the door, body or mounting plate
- Painting to any color according to the RAL palette

The technical documentation is available on pages 154–155

The following table presents empty enclosures.

No.	Dimensions (W × H × D mm)	Catalogue No. OZ-ATEX-OH	Catalogue No. OZ-ATEX-KO
1	150 × 150 × 80	117-001	117-101
2	200 × 150 × 80	117-002	117-102
3	200 × 200 × 80	117-003	117-103
4	200 × 250 × 80	117-004	117-104
5	250 × 250 × 80	117-005	117-105
6	250 × 300 × 80	117-006	117-106
7	300 × 300 × 80	117-007	117-107
8	400 × 300 × 80	117-008	117-108
9	150 × 150 × 100	117-009	117-109
10	200 × 150 × 100	117-010	117-110
11	200 × 200 × 100	117-011	117-111
12	200 × 250 × 100	117-012	117-112
13	250 × 250 × 100	117-013	117-113
14	250 × 300 × 100	117-014	117-114
15	300 × 300 × 100	117-015	117-115
16	400 × 300 × 100	117-016	117-116
17	150 × 150 × 120	117-017	117-117
18	200 × 150 × 120	117-018	117-118
19	200 × 200 × 120	117-019	117-119
20	200 × 250 × 120	117-020	117-120
21	250 × 250 × 120	117-021	117-121
22	250 × 300 × 120	117-022	117-122
23	300 × 300 × 120	117-023	117-123
24	400 × 300 × 120	117-024	117-124



OZ
ATEX
IP 66

Exemplary accessories



Locking screws



Cable inlets

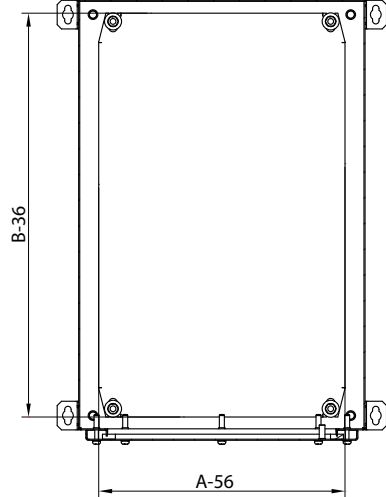
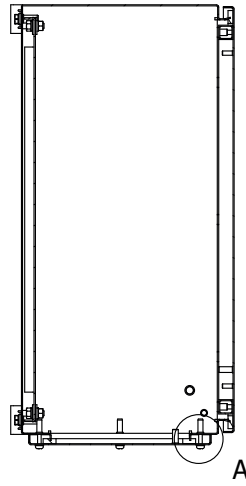
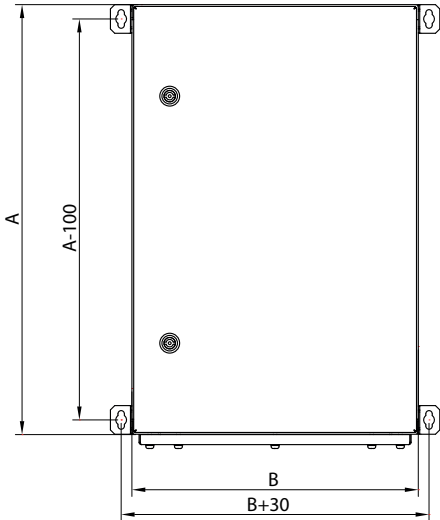
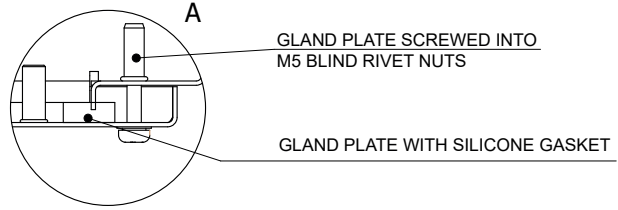
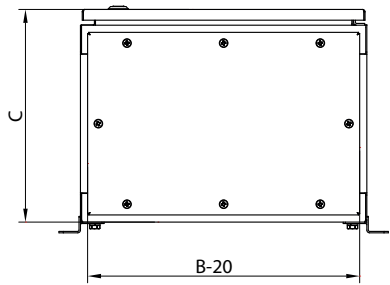


Brass plugs

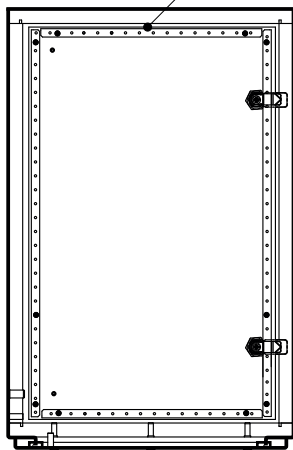


Plastic plugs

Scope of delivery:
Assembled enclosure without mounting plate, TS-35 rail and modular cover.

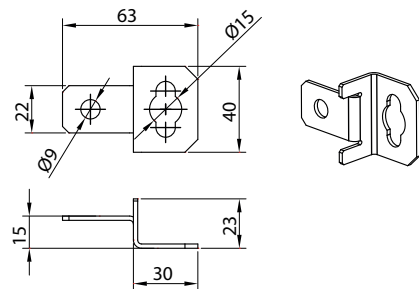


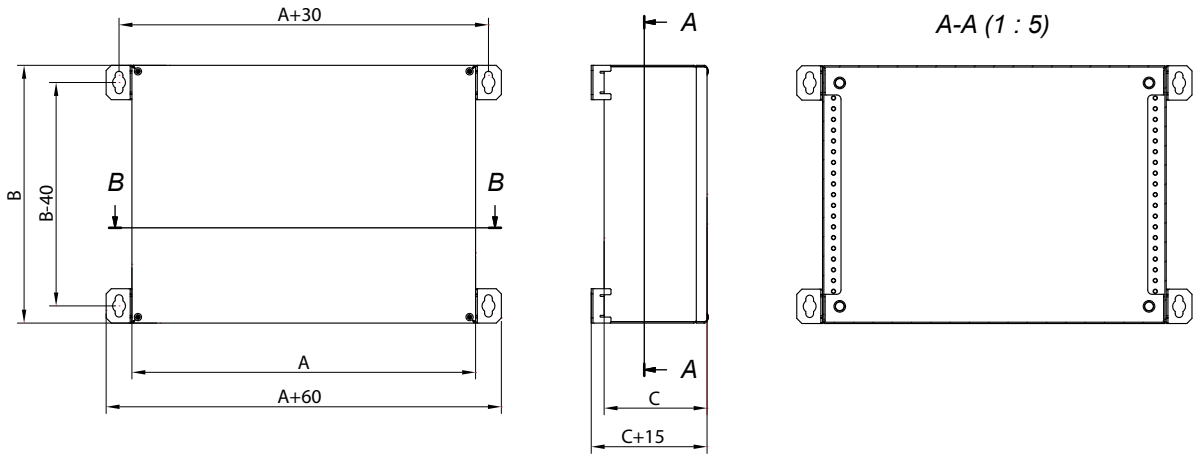
DOOR REINFORCED WITH A FRAME
MADE OF GALVANIZED U-BARS



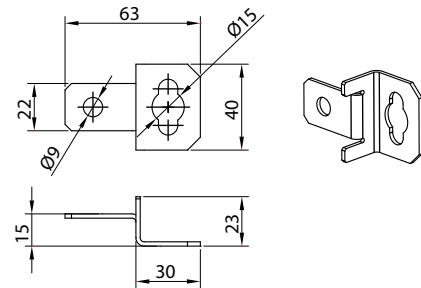
DIM. B	NO. OF LOCKS
1200	3
1000	3
800	2
600	2
500	2
400	1
300	1

UN-3 ATEX

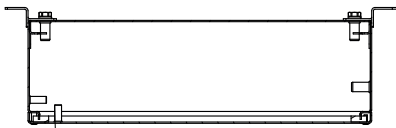




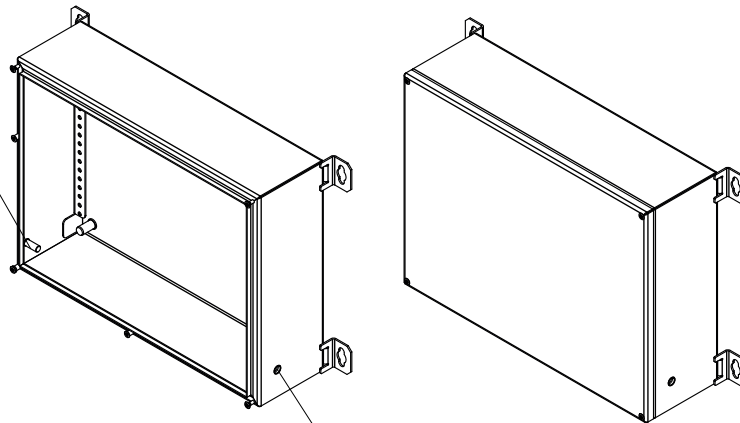
UN-3 ATEX



B-B (1 : 5)



M8 GROUNDING STUD



M8 BLIND RIVET NUT FOR SCREWING AN EXTERNAL GROUNDING