



## Terminal box OZ IP 66

OZ – is a small wall-mounted enclosure with compact dimensions and high tightness. The standard offer includes 24 dimensions. Tables with catalogue numbers are available on the following pages of the catalogue.



Download product data sheet!

Type	Corrosivity category	Material / additional description	Coating
OZ-ST	C2	steel sheet	RAL7035
OZ-ZN	C3	steel sheet + epoxy primer	RAL7035
OZ-AL	C3*	aluminum sheet	RAL7035
OZ-OH	C4**	stainless steel 1.4301 (AISI 304)	BRUSHED
OZ-KO	C5-l (M)**	acid-proof steel 1.4404 (AISI 316L)	BRUSHED

### General information:

- Ingress protection according to IP code: 66
- Impact resistance according to IK code: 10
- Operating temperature range: -30°C – +80°C

### Basic data:

- Body: monobloc type, welded
- Closure: cover closed with four screws (1/4 turn – fast closure) provided with lock washers to ensure tight closing
- Grounding: threaded grounding studs in the cover and enclosure body
- Other information: There are perforated angle bars inside the enclosure for mounting TS-35 rail or mounting plate.

Description	Page
DIN rails TS-35	94
Mounting plates	94
Modular covers	94
Wall brackets	130
Ventilation	81

### Additional options:

- Increase of the operating temperature range from -50 to +120°C
- Unusual dimensions
- Punching in the door, body or mounting plate
- Painting to any color according to the RAL palette

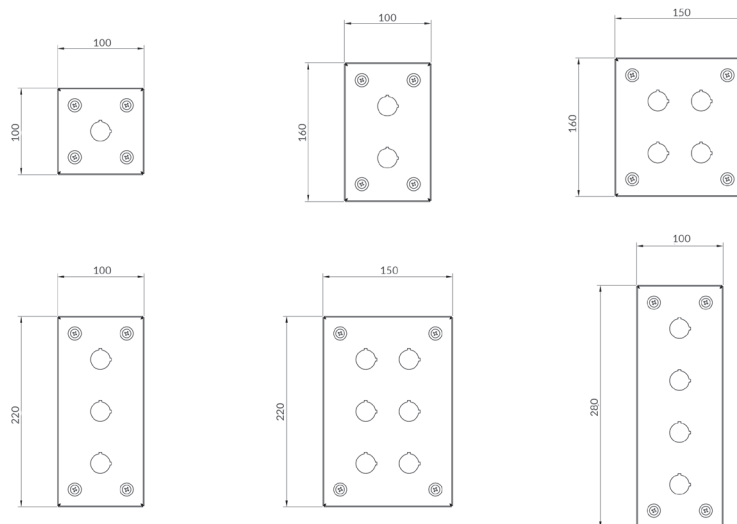
The technical documentation is available on pages 140–141

The following table presents empty enclosures.

No.	Dimensions (W × H × D mm)	Catalogue No. OZ-ST	Catalogue No. OZ-ZN	Catalogue No. OZ-AL	Catalogue No. OZ-OH	Catalogue No. OZ-KO
1	150 × 150 × 80	170-001	170-101	170-201	171-001	172-001
2	200 × 150 × 80	170-002	170-102	170-202	171-002	172-002
3	200 × 200 × 80	170-003	170-103	170-203	171-003	172-003
4	200 × 250 × 80	170-004	170-104	170-204	171-004	172-004
5	250 × 250 × 80	170-005	170-105	170-205	171-005	172-005
6	250 × 300 × 80	170-006	170-106	170-206	171-006	172-006
7	300 × 300 × 80	170-007	170-107	170-207	171-007	172-007
8	400 × 300 × 80	170-008	170-108	170-208	171-008	172-008
9	150 × 150 × 100	170-009	170-109	170-209	171-009	172-009
10	200 × 150 × 100	170-010	170-110	170-210	171-010	172-010
11	200 × 200 × 100	170-011	170-111	170-211	171-011	172-011
12	200 × 250 × 100	170-012	170-112	170-212	171-012	172-012
13	250 × 250 × 100	170-013	170-113	170-213	171-013	172-013
14	250 × 300 × 100	170-014	170-114	170-214	171-014	172-014
15	300 × 300 × 100	170-015	170-115	170-215	171-015	172-015
16	400 × 300 × 100	170-016	170-116	170-216	171-016	172-016
17	150 × 150 × 120	170-017	170-117	170-217	171-017	172-017
18	200 × 150 × 120	170-018	170-118	170-218	171-018	172-018
19	200 × 200 × 120	170-019	170-119	170-219	171-019	172-019
20	200 × 250 × 120	170-020	170-120	170-220	171-020	172-020
21	250 × 250 × 120	170-021	170-121	170-221	171-021	172-021
22	250 × 300 × 120	170-022	170-122	170-222	171-022	172-022
23	300 × 300 × 120	170-023	170-123	170-223	171-023	172-023
24	400 × 300 × 120	170-024	170-124	170-224	171-024	172-024

The following table presents empty enclosures with door punching for universal buttons.

No.	Dimensions (W × H × D mm)	Number of holes in the cover	Catalogue No. OZ-OH-P
1	100 × 100 × 100	1	174-001
2	100 × 160 × 100	2	174-002
3	100 × 220 × 100	3	174-003
4	100 × 280 × 100	4	174-004
5	150 × 160 × 120	4	174-005
6	150 × 220 × 120	6	174-006

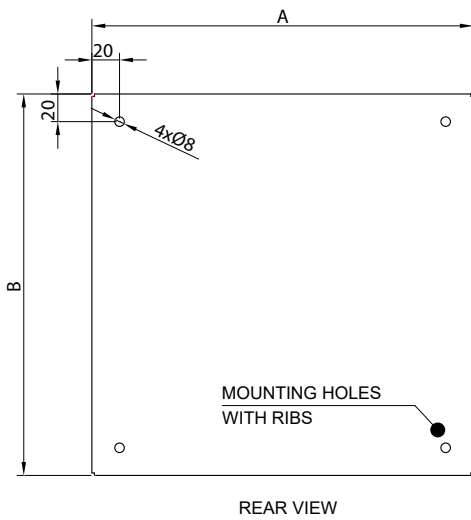
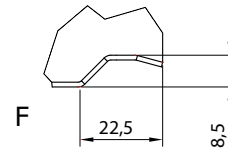
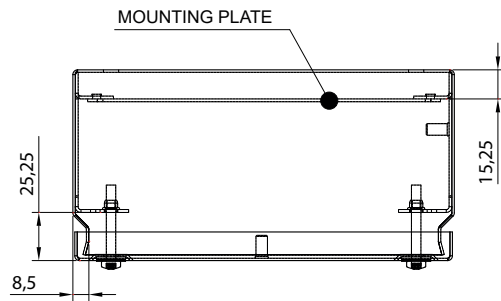
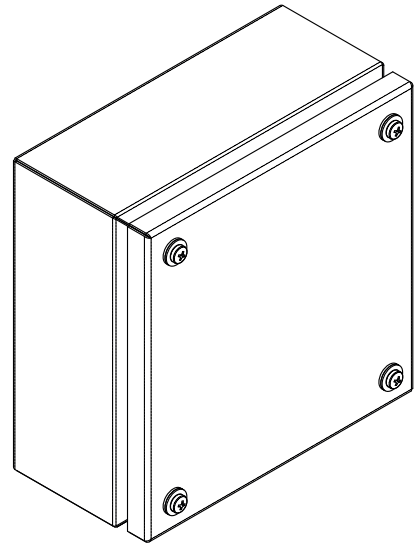
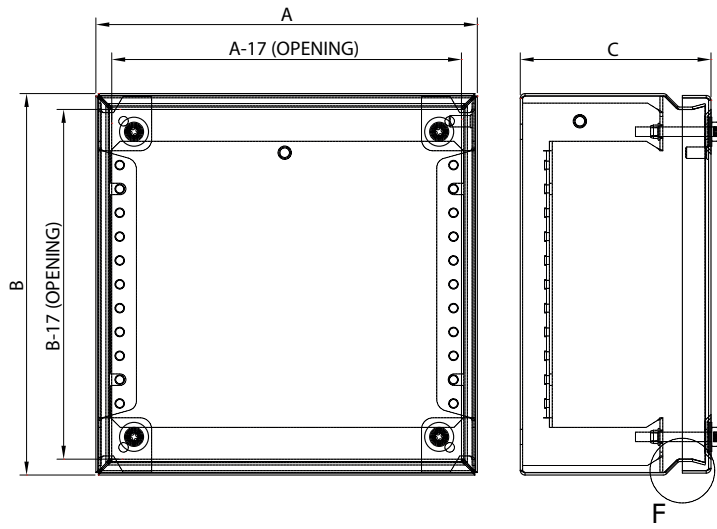


Pushbutton enclosures

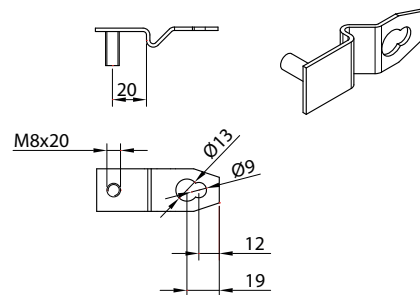


**OZ**  
IP 66

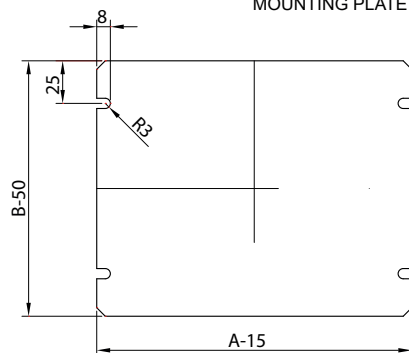
Scope of delivery:  
Assembled enclosure without mounting plate, TS-35 rail and modular cover.



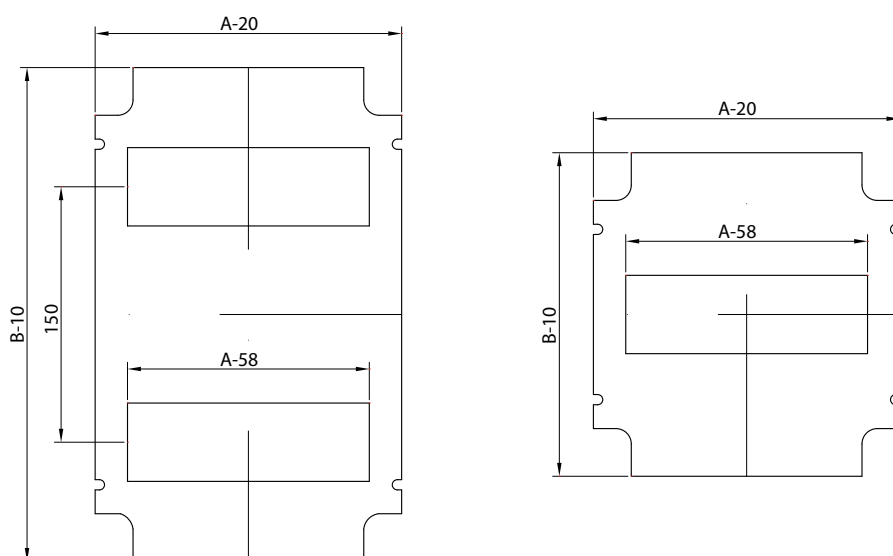
WALL BRACKET UN-1  
4 PCS FOR 1 ENCLOSURE



MOUNTING PLATE



MODULAR COVERS



TS RAIL

