



Compact enclosure RSA-ATEX IP 66

RSA-ATEX – is a small wall-mounted enclosure, universal in terms of configuration and use in potentially explosive atmospheres. The standard offer includes 63 dimensions. Tables with catalogue numbers are available on the following pages of the catalogue.

Type	Corrosivity category	Material / additional description	Coating
RSA-ATEX-OH	C4**	stainless steel 1.4301 (AISI 304)	BRUSHED
RSA-ATEX-KO	C5-I (M)**	acid-proof steel 1.4404 (AISI 316L)	BRUSHED

General information:

- Enclosure sign:
 - II 2G Ex eb II Gb
 - II 2D Ex tb IIIC Db
- Meeting the requirements of standards such as: PN-EN 60079:2013 (EN 60079-0:2012); PN-EN 60079-7:2016 (EN 60079-7:2007); PN-EN 60079-31:2014 (EN 60079-31:2014) confirmed with EC-type examination certificate No. OBAC 15 ATEX 0203U
- Ingress protection according to IP code: 66
- Impact resistance according to IK code: 08
- Operating temperature range: -30 – +80°C

Basic data:

- Body: monobloc type, welded
- Closure: hinged door with 105° opening angle; enclosures up to 400 mm height have one D5 type lock, 500-800 mm – two, and higher – three locks of the same type
- Mounting plate: in each version is made of 2 mm thick galvanized steel sheet
- Cable entry: there is a gland plate in the bottom, its dimensions depend on the width of the enclosure
- Grounding: threaded grounding studs in the door and enclosure body
- Other information: The enclosure is equipped with removable wall mounting brackets.



Download product data sheet!

Description	Page
Mounting plates	95
Vertical beams	100-101
Modular constructions	102-103
Internal doors	106-107

Additional options:

- Unusual dimensions
- Punching for cable glands
- Painting to any color according to the RAL palette

The technical documentation is available on pages 154-155

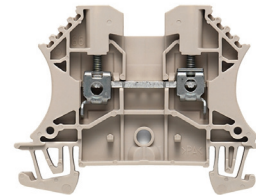
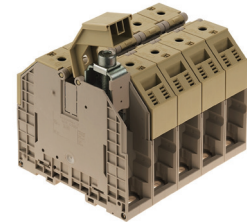
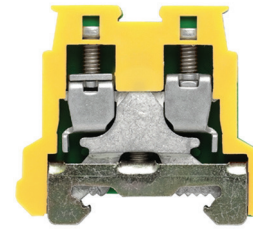
The following table presents enclosures equipped with a mounting plate.

No.	Dimensions (W × H × D mm)	Catalogue No. RSA-ATEX-OH	Catalogue No. RSA-ATEX-KO
1	200 × 300 × 150	116-001	116-101
2	300 × 200 × 150	116-002	116-102
3	300 × 300 × 150	116-003	116-103
4	300 × 300 × 210	116-004	116-104
5	300 × 300 × 250	116-005	116-105
6	300 × 400 × 150	116-006	116-106
7	300 × 400 × 210	116-007	116-107
8	300 × 400 × 250	116-008	116-108
9	300 × 500 × 210	116-009	116-109
10	400 × 300 × 150	116-010	116-110
11	400 × 300 × 210	116-011	116-111
12	400 × 300 × 250	116-012	116-112
13	400 × 400 × 150	116-013	116-113
14	400 × 400 × 210	116-014	116-114
15	400 × 400 × 250	116-015	116-115
16	400 × 400 × 300	116-016	116-116
17	400 × 500 × 210	116-017	116-117
18	400 × 500 × 250	116-018	116-118
19	400 × 500 × 300	116-019	116-119
20	400 × 600 × 210	116-020	116-120
21	400 × 600 × 250	116-021	116-121
22	400 × 600 × 300	116-022	116-122
23	400 × 800 × 210	116-023	116-123
24	400 × 800 × 250	116-024	116-124
25	400 × 800 × 300	116-025	116-125
26	400 × 1000 × 250	116-026	116-126
27	400 × 1000 × 300	116-027	116-127
28	500 × 500 × 210	116-028	116-128
29	500 × 500 × 300	116-029	116-129
30	500 × 600 × 210	116-030	116-130
31	500 × 600 × 250	116-031	116-131
32	500 × 600 × 300	116-032	116-132
33	500 × 700 × 250	116-033	116-133
34	600 × 400 × 210	116-034	116-134
35	600 × 400 × 250	116-035	116-135
36	600 × 400 × 300	116-036	116-136
37	600 × 500 × 300	116-037	116-137
38	600 × 600 × 210	116-038	116-138
39	600 × 600 × 250	116-039	116-139
40	600 × 600 × 300	116-040	116-140
41	600 × 600 × 400	116-041	116-141
42	600 × 800 × 210	116-042	116-142
43	600 × 800 × 250	116-043	116-143
44	600 × 800 × 300	116-044	116-144
45	600 × 800 × 400	116-045	116-145
46	600 × 1000 × 250	116-046	116-146
47	600 × 1000 × 300	116-047	116-147
48	600 × 1000 × 400	116-048	116-148
49	600 × 1200 × 250	116-049	116-149
50	600 × 1200 × 300	116-050	116-150
51	600 × 1200 × 400	116-051	116-151
52	800 × 600 × 250	116-052	116-152
53	800 × 600 × 300	116-053	116-153
54	800 × 800 × 210	116-054	116-154
55	800 × 800 × 250	116-055	116-155
56	800 × 800 × 300	116-056	116-156
57	800 × 800 × 400	116-057	116-157
58	800 × 1000 × 250	116-058	116-158
59	800 × 1000 × 300	116-059	116-159
60	800 × 1000 × 400	116-060	116-160
61	800 × 1200 × 250	116-061	116-161
62	800 × 1200 × 300	116-062	116-162
63	800 × 1200 × 400	116-063	116-163



RSA
ATEX
IP 66

Scope of delivery:
Assembled enclosure with a key.



Terminal blocks



Intrinsically safe signal converters



Ex 4.5 kW air conditioner

The following table presents empty enclosures.

Lp.	Dimensions (W × H × D mm)	Catalogue No. RSA-ATEX-OH-N	Catalogue No. RSA-ATEX-KO-N
1	200 × 300 × 150	116-201	116-301
2	300 × 200 × 150	116-202	116-302
3	300 × 300 × 150	116-203	116-303
4	300 × 300 × 210	116-204	116-304
5	300 × 300 × 250	116-205	116-305
6	300 × 400 × 150	116-206	116-306
7	300 × 400 × 210	116-207	116-307
8	300 × 400 × 250	116-208	116-308
9	300 × 500 × 210	116-209	116-309
10	400 × 300 × 150	116-210	116-310
11	400 × 300 × 210	116-211	116-311
12	400 × 300 × 250	116-212	116-312
13	400 × 400 × 150	116-213	116-313
14	400 × 400 × 210	116-214	116-314
15	400 × 400 × 250	116-215	116-315
16	400 × 400 × 300	116-216	116-316
17	400 × 500 × 210	116-217	116-317
18	400 × 500 × 250	116-218	116-318
19	400 × 500 × 300	116-219	116-319
20	400 × 600 × 210	116-220	116-320
21	400 × 600 × 250	116-221	116-321
22	400 × 600 × 300	116-222	116-322
23	400 × 800 × 210	116-223	116-323
24	400 × 800 × 250	116-224	116-324
25	400 × 800 × 300	116-225	116-325
26	400 × 1000 × 250	116-226	116-326
27	400 × 1000 × 300	116-227	116-327
28	500 × 500 × 210	116-228	116-328
29	500 × 500 × 300	116-229	116-329
30	500 × 600 × 210	116-230	116-330
31	500 × 600 × 250	116-231	116-331
32	500 × 600 × 300	116-232	116-332
33	500 × 700 × 250	116-233	116-333
34	600 × 400 × 210	116-234	116-334
35	600 × 400 × 250	116-235	116-335
36	600 × 400 × 300	116-236	116-336
37	600 × 500 × 300	116-237	116-337
38	600 × 600 × 210	116-238	116-338
39	600 × 600 × 250	116-239	116-339
40	600 × 600 × 300	116-240	116-340
41	600 × 600 × 400	116-241	116-341
42	600 × 800 × 210	116-242	116-342
43	600 × 800 × 250	116-243	116-343
44	600 × 800 × 300	116-244	116-344
45	600 × 800 × 400	116-245	116-345
46	600 × 1000 × 250	116-246	116-346
47	600 × 1000 × 300	116-247	116-347
48	600 × 1000 × 400	116-248	116-348
49	600 × 1200 × 250	116-249	116-349
50	600 × 1200 × 300	116-250	116-350
51	600 × 1200 × 400	116-251	116-351
52	800 × 600 × 250	116-252	116-352
53	800 × 600 × 300	116-253	116-353
54	800 × 800 × 210	116-254	116-354
55	800 × 800 × 250	116-255	116-355
56	800 × 800 × 300	116-256	116-356
57	800 × 800 × 400	116-257	116-357
58	800 × 1000 × 250	116-258	116-358
59	800 × 1000 × 300	116-259	116-359
60	800 × 1000 × 400	116-260	116-360
61	800 × 1200 × 250	116-261	116-361
62	800 × 1200 × 300	116-262	116-362
63	800 × 1200 × 400	116-263	116-363



Brass glands



Plastic glands



Surge arresters



100 W Ex heater

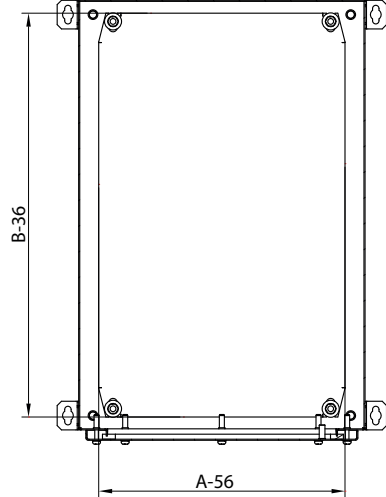
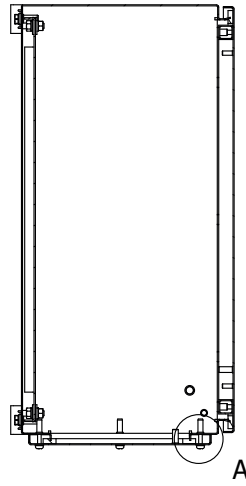
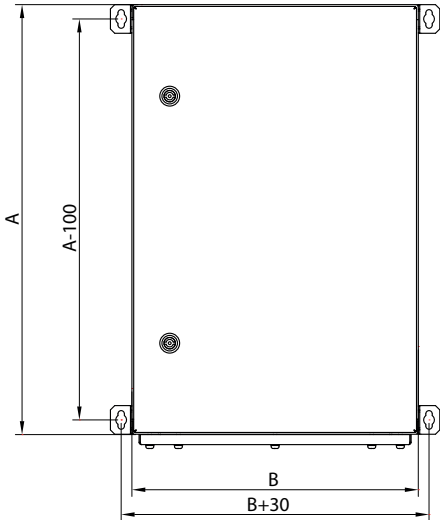
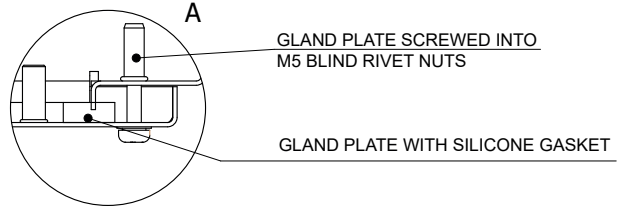
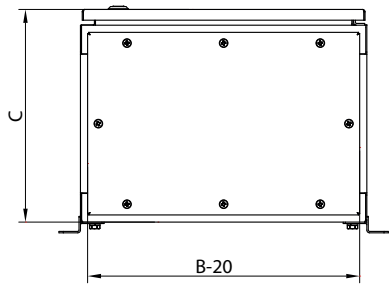


Ex thermostat

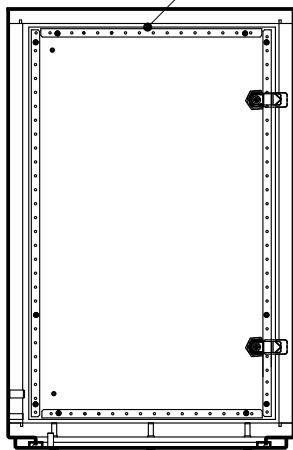


RSA
ATEX
IP 66

Scope of delivery:
Assembled enclosure with a key.

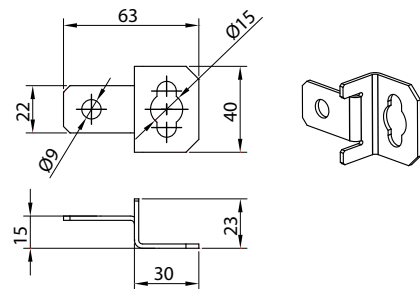


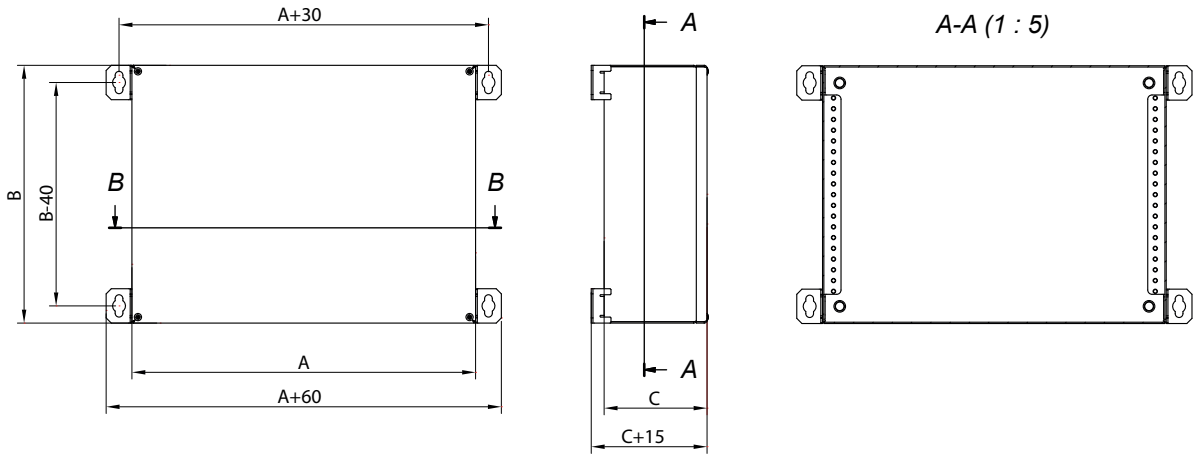
DOOR REINFORCED WITH A FRAME
MADE OF GALVANIZED U-BARS



DIM. B	NO. OF LOCKS
1200	3
1000	3
800	2
600	2
500	2
400	1
300	1

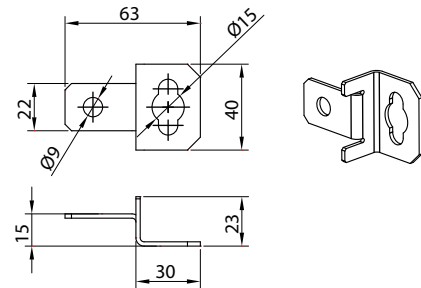
UN-3 ATEX



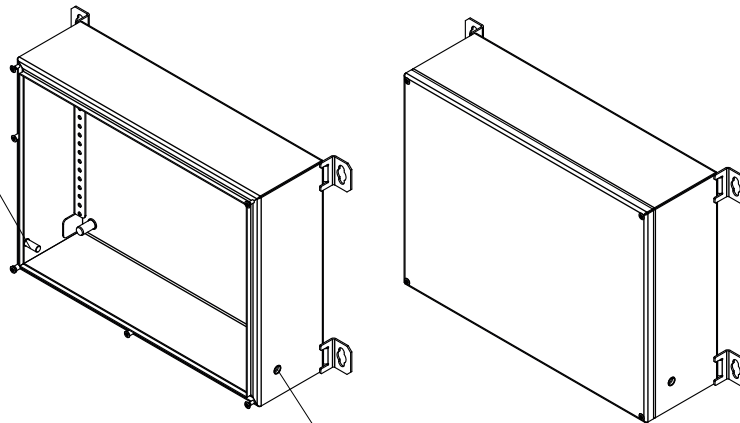


UN-3 ATEX

$B-B$ (1 : 5)



M8 GROUNDING STUD



M8 BLIND RIVET NUT FOR SCREWING AN EXTERNAL GROUNDING